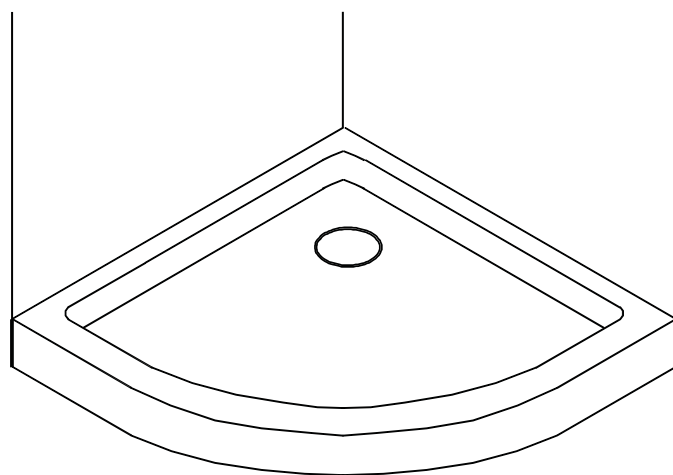
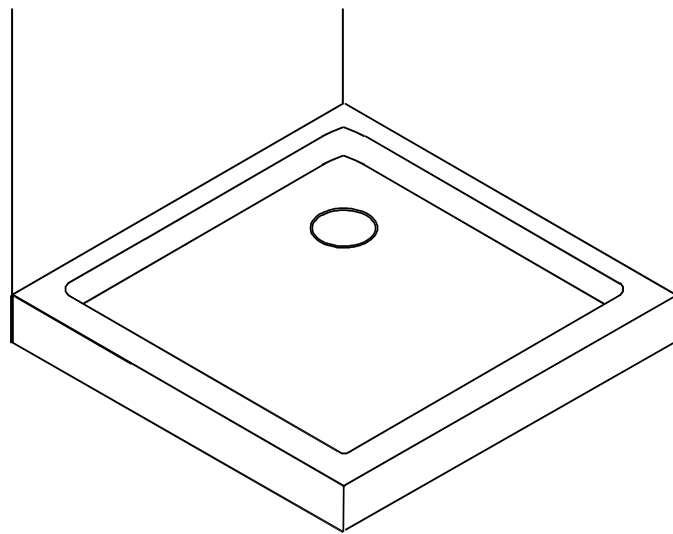


Installation Instructions

Shower tray and wall liner/tiles



Before starting this installation please read these instructions carefully and understand the tools, materials and installation steps required

INSPECTION AFTER OPENING

IMPORTANT- Before disposing of the carton, packaging and/ or commencing assembly, please check that the tray and liner is the correct size, shape and the tray is not bowed or twisted, and that no damage has occurred in transit.

Note: Both the shower tray and shower liner have a clear plastic film protecting the acrylic, This must be removed for inspection and installation.

If an item has been found damaged, or has a finishing defect **DO NOT** continue with the installation, please contact your supplier ASAP.

If this product has been installed damaged, both the supplier and retailer will **NOT** be responsible for the cost associated to the repairing or the exchange of this.

PREPARATION

PLEASE NOTE- It is the installer's responsibility to ensure that the installation of this shower complies with all council and or local authority bylaws.

1. Ensure that the walls are plumb and are set square. It is also recommend to add additional timber studs inside the wall that finish flush with the end of the shower tray, this will ensure the shower door can be fixed and anchored securely.
2. Timber nogs are also required inside the wall above the height of the shower tray upstand. This will be the new fixing point for the gib board as the gib board below this will be cut away allowing the shower tray to be recessed.
3. Check the floor is level and strong enough to support the use of the shower. If the shower tray does not sit level a self-leveling compound should be added. The cut-out in the floor for the shower waste must not exceed 220x220mm.
4. The shower waste and fittings must be installed by a qualified plumber.

TOOLS REQUIRED

- Spirit level
- Caulking gun
- Cutting knife
- Tape measure
- Pencil
- Drill
- Hole saw (size of fitting through liner)
- Clean cloth
- Silicone sealant (supplied with liner)
- Glue (supplied with liner)
- Suitable bracing timber

INSTALLATION PREFERENCE

Section 1- Shower tray installation

PAGE- 3

Section 2- Wall lining installation

Option 1- Tiled wall (Proceed to Section 2a)

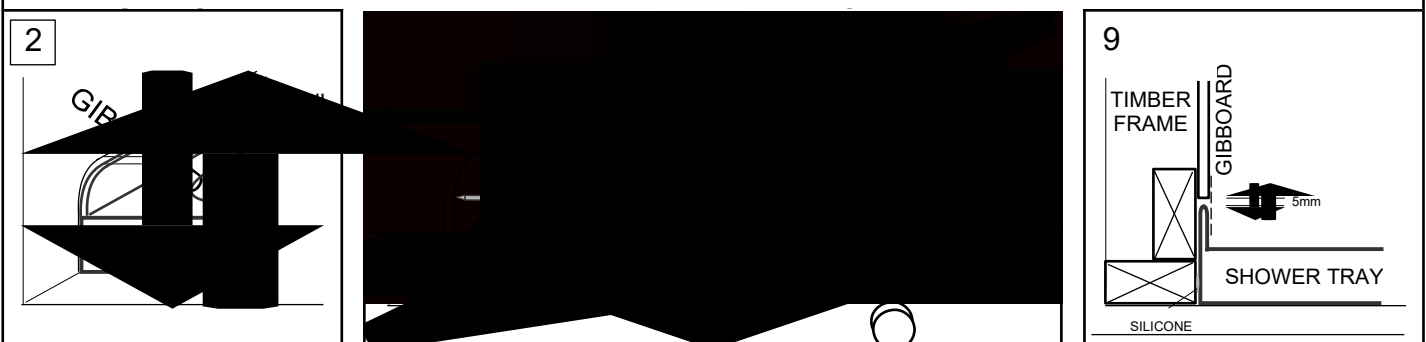
PAGE- 4

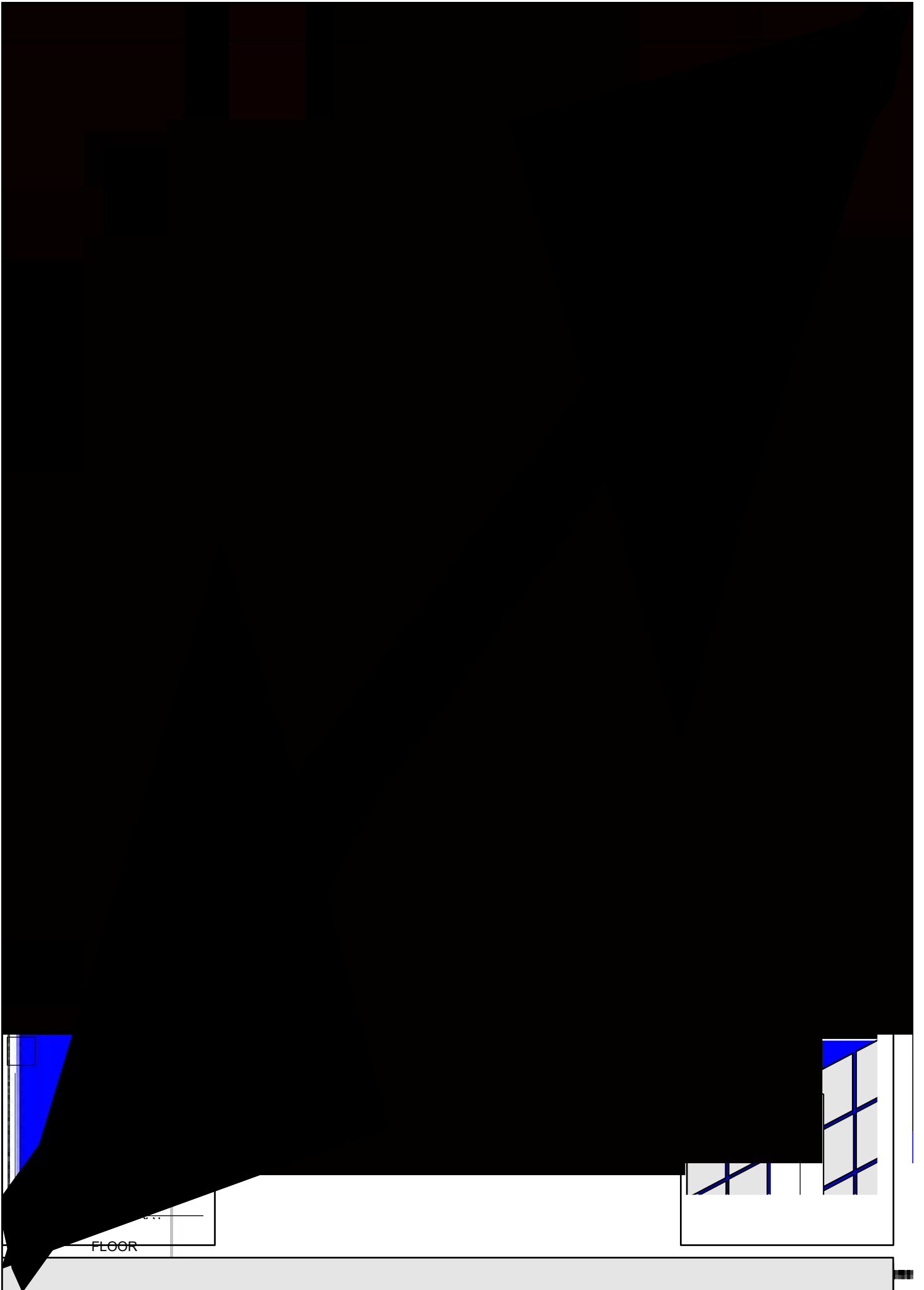
Option 2- Acrylic Liner (Proceed to Section 2b)

PAGE- 5

SECTION 1 - SHOWER TRAY INSTALLATION

1. Before installing the shower tray please ensure the following:
 - Walls and floor are level and plumb, leveling compound should be used if floor is not
 - The waste is in the correct location and the cut-out in the floor does not exceed 220mm
 - The plumber has installed and tested all shower fittings
 - The selected location for the shower tray is well swept, clean and dry
 - The plastic film on the shower tray has been removed and the tray inspected for damage
 - Check that the shower tray is straight and sits level on the floor
2. Place the tray in position against the gib board and mark a horizontal line 5mm above the top of the shower tray if an acrylic liner is to be used, if not, 2mm.
(This 5mm gap will create an air flow and allow the additional gases formed from the curing of the glue used on the acrylic liner to escape) Then mark around the front of the shower tray.
3. Remove the shower tray and deduct 10mm off both the front marking as the shower tray will be recessed into the wall when it is finally installed correctly.
4. Carefully cut away the gib board around the markings so the shower tray can recess into the wall but not be able to touch the gib board along the top.
5. Position the shower tray into its correct location and check the levels, support, waste alignment, and that the front of the upstands on the shower tray do not protrude past the gib board walls. If the tray does, and is unable to be re-positioned the tray may need to be rebated further into the bottom wall plate.
6. Remove the shower tray and sweep the area to ensure it is clean and free from dust.
7. Apply a construction adhesive to the support rings on the underside of the shower tray.
8. Apply a bead of silicone to the front of the bottom plate in the wall behind where the shower tray will be positioned (this will prevent possible squeaking).



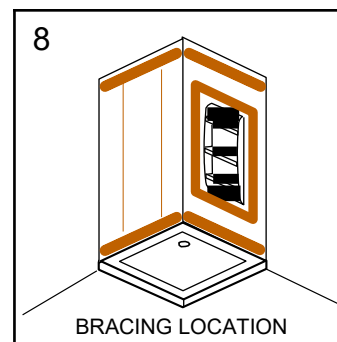
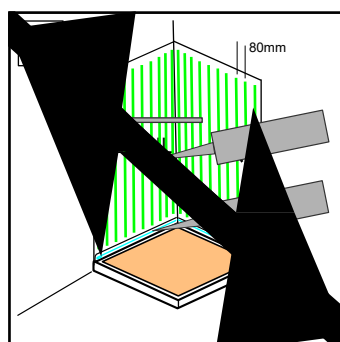
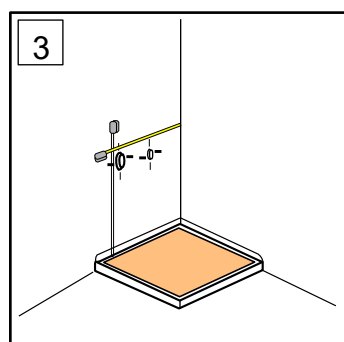
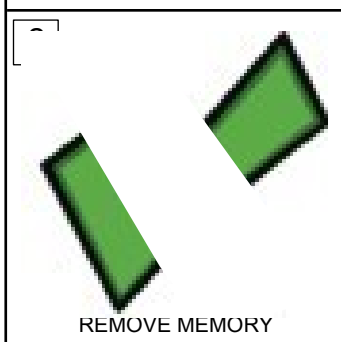


SECTION 2b - WALL LINER INSTALLATION

OPTION 2- Acrylic Liner

1. Before fitting the acrylic liner please ensure the following:
 - The waste is connected to the shower tray and the plumber is satisfied
 - The plumber has installed and tested all shower fittings
 - 10mm Aqualine gib board has been well nailed to the studs and nogs at 200mm centres
 - The gib board behind where the liner will go has not been gib stopped, sealed, or painted
 - The shower tray has been checked for any damage that may have occurred during install
 - A cardboard template of the shower tray has been made and used to protect the tray
 - The plastic film on the shower liner has been removed and the liner inspected for damage
2. The liner has been preheated and folded to 95 degrees, check that the liner has not developed a temporary over bend memory, this can happen if the liner has been confined for a period of time, place the liner in a corner of a room and check that both sides touch the walls, if not the liner will need to be left face down until the liner has relaxed and the temporary memory has disappeared.
3. Carefully measure and mark the location of any plumbing fitting on the shower liner, re-check that the liner is up the correct way, and the markings are on the correct side. Cut or drill carefully into the liner using only "fine tooth" blades.
4. Place the liner in position and check that the plumbing cut-outs are correct, and that the liner fits correctly onto the shower tray. If required, adjustments can be made by shaping the bottom of the liner with a hand plane. Before removing mark around the perimeter of the liner on the wall with a pencil.
5. Ensure that both the back of the liner and the gib board have been thoroughly cleaned and any dirt, dust or other contaminants have been removed.
6. Run a generous and continuous bead of silicone along the shower tray upstand making sure the end of the tray upstands are completely sealed.
(NOTE: WATER WILL TRAVEL UNDER THE LINER AND COULD ESCAPE OFF THE END OF THE SHOWER TRAY IF NOT SEALED)
7. Staying 20mm away from the pencil mark on the wall apply a 5-6mm vertical bead of adhesive glue down to the top of the shower tray. Continue applying these vertical lines to the remaining liner area at approximately 80mm apart.
8. Within 15 minutes position and press the liner firmly onto the wall. Excess silicone should come from under the liner in each of the corners and can be wiped off back flush with the liner. Brace liner firmly to the wall and tray, extra bracing is required around soap moulds in liners.

Bracing should remain in place for a minimum of 18 hours



SHOWER DOOR INSTALLATION

Installation instructions for the shower door will be supplied with the door.

CLEANING INSTRUCTIONS

Some household cleaners are not suitable for the care and cleaning of acrylic trays and liners. Labels should be read carefully before a non-approved cleaner is considered for use.

Avoid the following cleaners:

- Harsh chemicals and disinfectants
- Abrasive cleaners
- Acid or alkaline cleaners
- Solvent based cleaners
- Cleaners containing ammonia or peroxides
- "Leave on" shower cleaners are also not recommended

For best results thoroughly rinse the shower down with water after cleaning to ensure the removal of all residues.

CONTACT AND WARRANTY INFORMATION

This shower is warranted against defects in material and workmanship for 3 years from date of purchase or for new buildings from the date of hand over. 1 Year Parts and Labour

(Residential domestic use only, commercial application 1 year warranty)

It is our recommendation that a professional tradesman such as a shower installer installs this shower, otherwise there could be a risk that this product will not be installed correctly as per the installation instructions and could void the warranty.

- Should the shower fail as a result of faulty materials or workmanship, CIA Bathrooms will at its discretion, repair, replace or refund up to the original price of the shower
- The warranty will be invalid if the shower is not correctly installed, is misused, or the fault is not notified within 3 months of its appearance.
- This warranty is limited to the original purchaser of the shower.
- Warranty is non-transferable.
- Proof of purchase must be presented at time of claim.



