

The Shower Company is at the forefront of thermo-set plastics technology utilising high grade impact/stain resistant N.G.A. sanitary ware gelcoat backed with high strength polyester thermo-set plastic.

The cubicle range offers style and colour to project your own good taste in bathroom design.

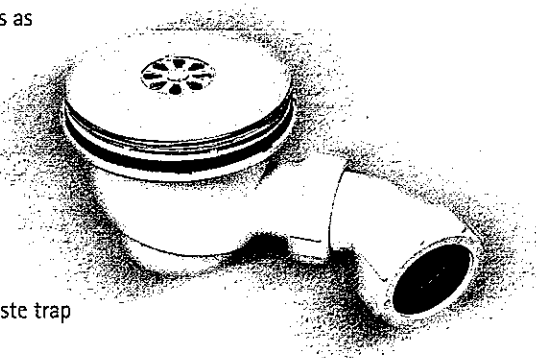
You can select from our innovative one-piece models which offer superior strength and rigidity, to our two-piece functional range all constructed with a unique rigid core laminate for extra wall stiffness.

Features

- Due to the rigid core laminate, cubicles only require perimeter battening, a definite saving in installation costs.
- Solid base support.
- Super smooth easy clean surface.
- Slip resistant floor surface.
- Conveniently positioned soap and shampoo shelves (Regent range only).
- Showers are manufactured to accommodate either a standard waste or a range of easy clean wastes.
- Full 5 year warranty against faulty workmanship and materials.

Accessories

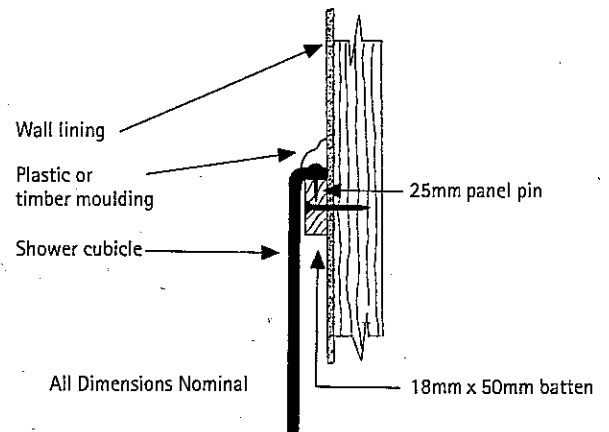
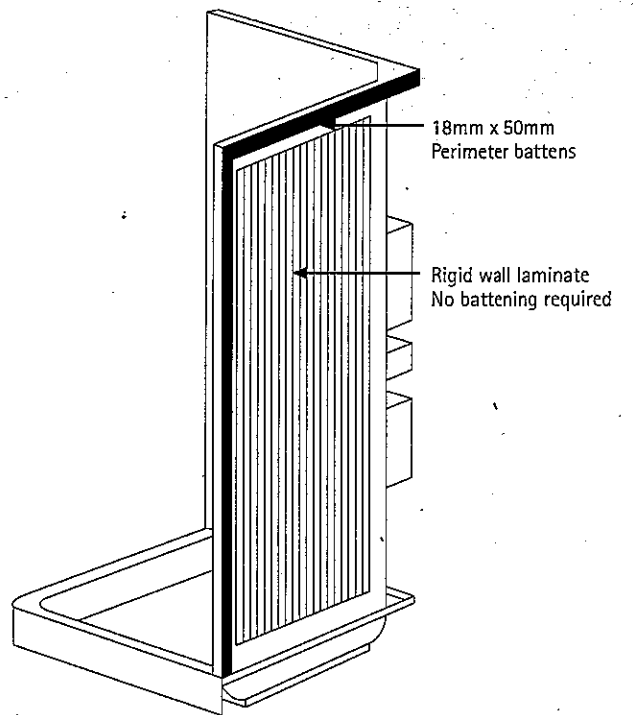
- Quality framed pivot doors as shown available on all models, right or left hand opening.
- McAlpine 90 easy clean waste available in White, Almond Ivory and Chrome or Aquaknight easy clean waste trap with advanced features.



Other colours on application.

Available from:

Installation Guide



the **SHOWER**
company

SHOWROOM - 35 KEELING ROAD,
P.O. BOX 21717, HENDERSON
PHONE: 0-9-837 4088, FAX: 0-9-837 4325

DISCLAIMER: The Shower Company retains the right to change products and specifications without notice. This brochure does not constitute an offer by The Shower Company and is not intended as an exhaustive description of product performance or suitability. All measurements are nominal. The brochure supersedes all previous brochures. Shower fittings and accessories shown in this brochure are for photography purposes only.

Dear Customer

Thank you for buying a quality shower from our range.

This shower cubicle carries a warranty against faulty workmanship. Please inspect thoroughly before installation to ensure this unit has not been damaged in transit as warranty does not cover the cost of removal and installation once installed.

To ensure total satisfaction with this product it is important to follow the fitting instructions as follows

- a. Before installation check that walls where the shower cubicle is to be installed are plumb and square and the floor is flat and level.
- b. Place cubicle in desired position and mark around perimeter of cubicle including front edge on floor with pencil.
- c. Nail 18mm battens approximately 5mm inside pencil line. The thickness of the batten will depend on what shower you are fitting so it is recommended you measure the gap and make the batten approximately 2-3mm smaller to allow for the glue.
- d. Carefully measure where holes for plumbing are to be cut. Holes can be cut using a hole saw of the required size (allow clearance)

Note : please check the following before final Installation

- Cubicle evenly supported across base, where required suitable packing/sanding may be required
- All plumbing is in place with suitable clearance
- Drainage plumbing completed and ready to connect to shower waste (ensure that the waste has 2-3mm clearance from the shower so that the base is not held up)
- Stiffening battens (if required) are in place
- Cubicle is plumb and square
- Perimeter wall battens vertical and secure
- e. Fix cubicle in place by using *nail bond* adhesive (recommended) by putting the adhesive on the battens before the cubicle is put in place, then brace the cubicle in the required position for the recommended time (refer to the nail bond packaging for cure times). Screws can be used to fix cubicle to the wall battens, but you will need to drill 3mm holes around the perimeter (where door frame will cover) at up to 200mm centres.

- f. After fitting shower door a silicone bead is to be applied to the outside edge of the door frame to ensure a watertight joint between shower and door. Any mouldings should be pre-painted or varnished and glued to edges of cubicle to hide possible uneven gaps and nail heads.

**Thank you for buying a quality
Fibreglass shower from our range**

You have purchased model

M1 1 2

M2 1 2

M3 1 2

M4 1 2

M5 1 2

M6 1 2

M7 1 2

750E 800P

900R 900S

900P